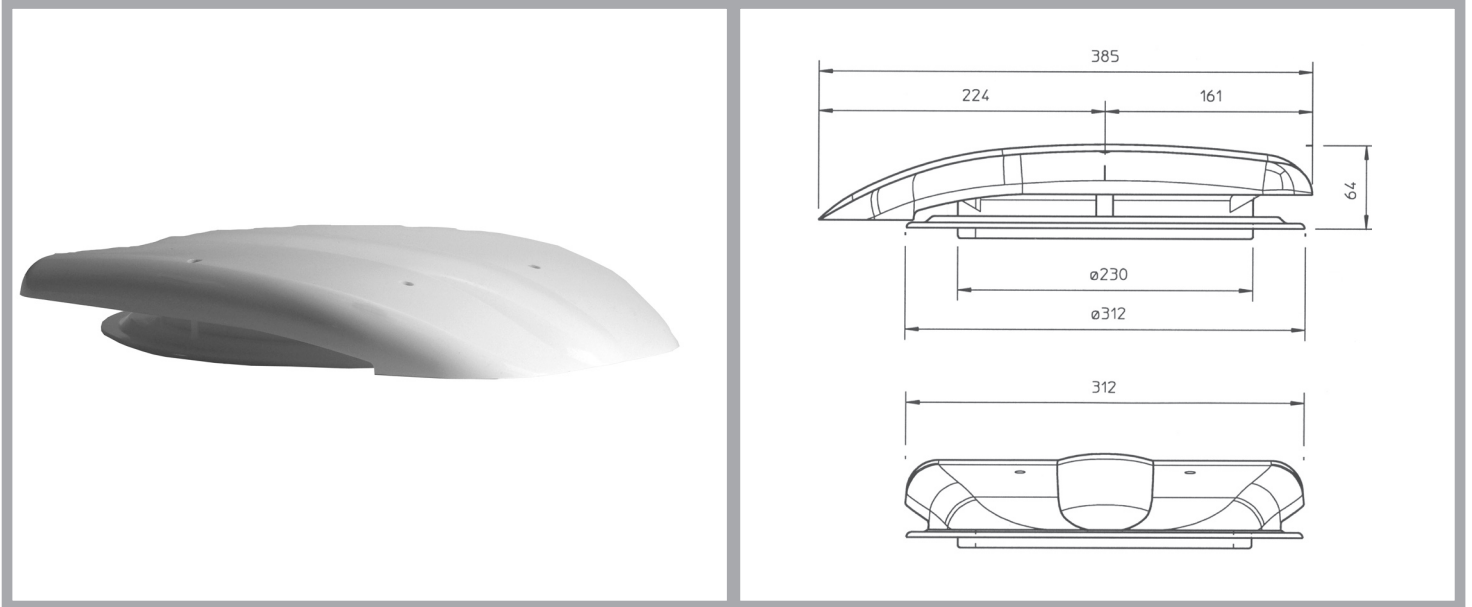


<b>Dakventilator</b> "Le Mans"	<b>Dachlüfter</b> "Le Mans"	<b>Rooftop ventilator</b> "Le Mans"
Ontluchten/Beluchten Opbouw	Entlüften/Belüften Aufbau	Ventilate/De-ventilate Build on

## EMC APPROVED



## TECHNICAL DETAILS

Part. Nr.	Voltage V	Air flow m <sup>3</sup> /h	Watt W	Nominal speed RPM	Noise level DB(A)	Function Suction/Blowing	Rooftop opening mm	Weight kg
02-2200	12	850	80	2600	52	Suction/Blowing	230 / 245	1,3
02-2200-ZW	12	850	80	2600	52	Suction/Blowing	230 / 245	1,3
02-2300	24	850	80	2600	52	Suction/Blowing	230 / 245	1,3
02-2300-ZW	24	850	80	2600	52	Suction/Blowing	230 / 245	1,3
02-2900	w/o motor					Suction	230 / 245	0,9

Part. Nr.	Material roofing	Material cover
02-2200	ABS/White RAL 9010	ABS/White RAL 9010
02-2200-ZW	ABS/Black RAL 9005	ABS/Black RAL 9005
02-2300	ABS/White RAL 9010	ABS/White RAL 9010
02-2300-ZW	ABS/Black RAL 9005	ABS/Black RAL 9005
02-2900	ABS/White RAL 9010	ABS/White RAL 9010

<b>OPTIES</b>	<b>OPTIONEN</b>	<b>OPTIONAL</b>
Snelheidsregelaar Schakelaar Binnenroset Diverse kleuren Sneeuwfilter	Geschwindigkeitsregler Schalter Innenverschluss Verschiedene farben Schneefilter	Speed control Switch Internal ventilation valve Other colours Snow filter

TECHNISCHE VERANDERINGEN VOORBEHOUDEN!

TECHNISCHE ANDERUNGEN VORBEHALTEN!

TECHNICAL CHANGES RESERVED!